

The perfect combination of tradition
and innovation

BaseMax®



The Mustad BaseMax is a traditionally ¾-fullered European riding horseshoe. It is the successor of the popular BM shoe. The clip is drawn from the metal of the shoe. BaseMax horseshoes have their clips drawn out of the metal from the web of the shoe, in a traditional style. Its inside clip has an optimal position to offer a maximum support. The nail holes of this range are also punched slightly coarser making it possible to fit the shoe slightly wider to the hoof or to accommodate thicker-walled hooves.

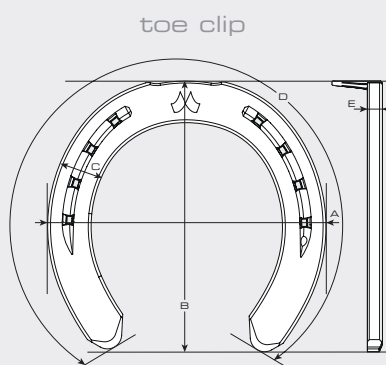
Maximum flexibility

- wide variety of sizes and sections
- easier shoe adaptations

Innovative features

- wider toe section, for better fit and balance
- symmetrical coarseness of the nail holes: to ensure even support to an even balanced hoof
- broader and wider clip for perfect fit with pads
- wider heels for easy fit and additional support
- the size number is positioned right after the end of the crease for easy and even drilling of stud holes

Recommended nails for this product

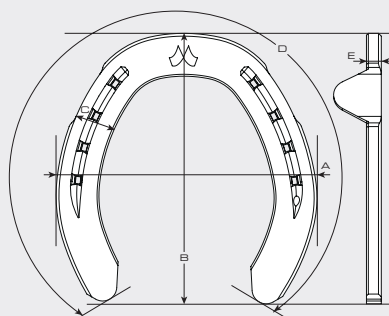


Front shoes

Model typical left and right

Toe clip

Sizes 4*0 - 6



Hind shoes

Model typical left and right

Side clips

Sizes 4*0 - 6

Dimensions	FRONT	HIND
	toe clip & side clips	toe clip & side clips
20x8	4*0 - 0	4*0 - 0
22x8	2*0 - 4	2*0 - 4
25x8	1 - 6	1 - 6
22x10	2*0 - 3	2*0 - 3
25x10	2 - 6	2 - 6

The perfect combination of tradition
and innovation

BaseMax®

Dimension tables

20x8 Front

Size	A	B	C	D	E
4°0	115	113	19	309	7.4
3°0	122	120	19.5	323	7.5
2°0	128	126	20	339	7.6
0	132	132	20.3	356	7.7

22x8 Front

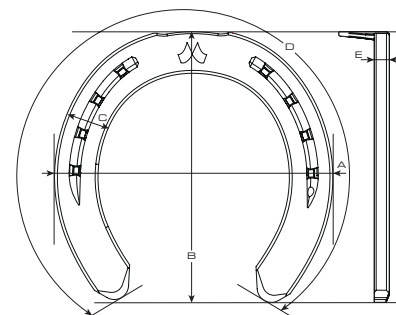
Size	A	B	C	D	E
2°0	128	126	22	344	7.6
0	134	132	22.3	360	7.7
1	140	138	22.5	377	7.8
2	146	144	20.8	393	7.9
3	152	150	23	409	8
4	159	157	23.3	428	8.1

25x8 Front

Size	A	B	C	D	E
1	139	138	24.5	377	7.8
2	146	144	24.8	393	7.9
3	152	150	25	409	8
4	159	157	25.3	428	8.1
5	166	164	25.5	448	8.3
6	174	172	25.8	469	8.5

22x10 Front

Size	A	B	C	D	E
2°0	129	126	22	344	9.3
0	134	132	22.3	360	9.4
1	140	138	22.5	377	9.5
2	146	144	22.8	393	9.6
3	152	150	23	404	9.7



25x10 Front

Size	A	B	C	D	E
2	146	144	24.8	393	9.6
3	152	150	25	409	9.7
4	159	157	25.3	428	9.8
5	166	164	25.5	448	10
6	174	172	25.8	469	10.2

20x8 Hind

Size	A	B	C	D	E
4°0	109	113	19	296	7.4
3°0	116	120	19.5	314	7.5
2°0	121	126	20	330	7.6
0	127	132	20.3	346	7.7

22x8 Hind

Size	A	B	C	D	E
2°0	121	126	22	330	7.6
0	127	132	22.3	346	7.7
1	133	138	22.5	362	7.8
2	139	144	20.8	378	7.9
3	150	150	23	393	8
4	157	157	23.3	411	8.1

25x8 Hind

Size	A	B	C	D	E
1	133	138	24.5	362	7.8
2	139	144	24.8	378	7.9
3	150	150	25	393	8
4	157	157	25.3	411	8.1
5	158	164	25.5	430	8.3
6	166	172	25.8	451	8.5

22x10 Hind

Size	A	B	C	D	E
2°0	121	126	22	330	9.3
0	127	132	22.3	346	9.4
1	133	138	22.5	362	9.5
2	139	144	22.8	378	9.6
3	150	150	23	393	9.7

25x10 Hind

Size	A	B	C	D	E
2	139	144	24.8	378	9.6
3	150	150	25	393	9.7
4	157	157	25.3	411	9.8
5	158	164	25.5	430	10
6	166	172	25.8	451	10.2

V 171006_EN