

SM



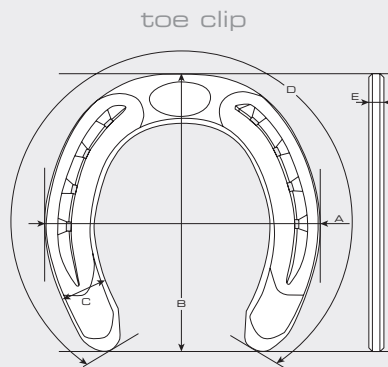
Mustad SM has been developed for farriers shoeing according to the traditional Swedish shoeing technique. The front-shoe has a slightly squared toe which allows an easier break over.

The front shoe features the characteristic square toe while the hind shoe follows the shape of the Scandinavian horse's foot. Both front and hind shoes are easy to shape, since the branches are slightly bent inwards. Sole relief on the hoof surface of the shoe helps preventing any bruising of the sole in the toe area.

Design

- the branches are slightly bent inwards to follow the shape of the Scandinavian foot
- increased break-over on front shoes
- Sole relief to minimize sole pressure

Recommended nails for this product

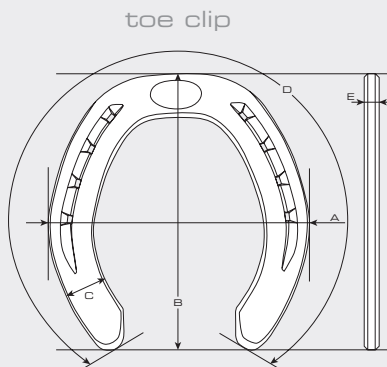


Front shoes

Model symmetric

Toe clip

Sizes 4*0 - 5



Hind shoes

Model symmetric

Toe clip

Sizes 4*0 - 5

Dimensions

	FRONT	HIND
	toe clip & side clips	toe clip & side clips
20x8	4*0 - 0	4*0 - 0
22x8	0 - 3	0 - 3
25x10	4 - 5	4 - 5

The perfect combination of tradition
and innovation

BaseMax®

Dimension tables

20x8 Front

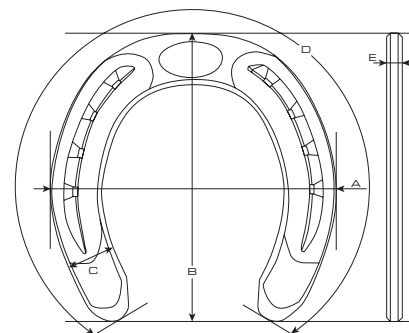
Sizes	A	B	C	D	E
4°0	112	115	20	311	8
3°0	118	121	20	327	8
2°0	124	127	20	344	8
0	129	133	20	360	8

22x8 Front

Sizes	A	B	C	D	E
0	129	133	22	360	8
1	134	139	22	377	8
2	140	146	22	395	8
3	153	146	22	413	8

25x10 Front

Sizes	A	B	C	D	E
4	152	158	25	428	10
5	159	166	25	449	10



20x8 Hind

Sizes	A	B	C	D	E
4°0	109	116	20	311	8
3°0	114	121	20	324	8
2°0	118	125	20	335	8
0	123	130	20	348	8

22x8 Hind

Sizes	A	B	C	D	E
0	123	130	22	348	8
1	129	137	22	367	8
2	134	142	22	380	8
3	139	147	22	393	8

25x10 Hind

Sizes	A	B	C	D	E
4	145	154	25	413	10
5	151	160	25	428	10

V 170911_EN